



WALL WASHER

Z7055A-W

Please read instructions before commencing installation and retain for future reference.

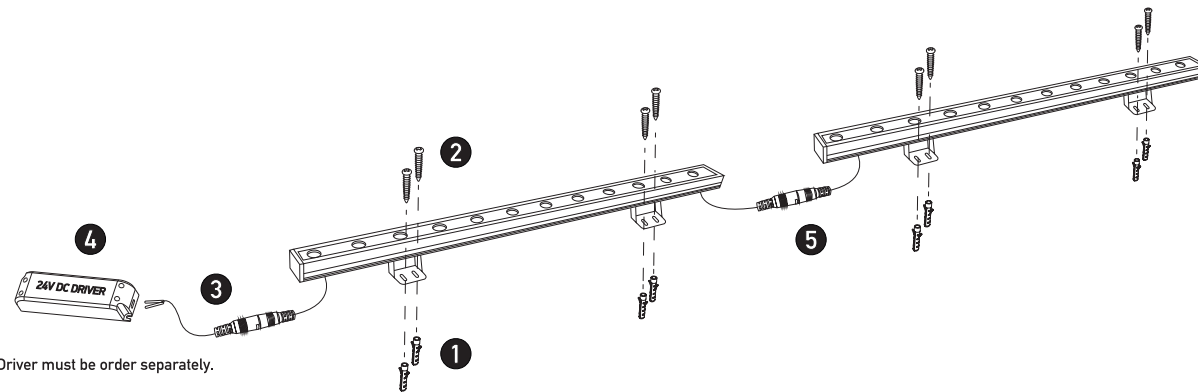
SPECIFICATIONS

- **Material:** Aluminium
- **Lamp type:** LED 12 x 1W 3000K
- **Ingress Protection:** IP66. Protection against entry of solid objects greater than 12mm in diameter.

INSTALLATION INSTRUCTIONS

! Electrical products can cause death, injury, or damage to property. Maintenance and installation should only be carried out by a professional electrician.

- Ensure main supply is switched off.
- Insert masonry plugs (1) into the mounting surface.
- Fit mounting bracket onto the mounting surface with self-tapping screws (2).
- Connect main cable with the driver (3).
- Connect driver (not included) in power source (4).
- Connect maximum 10pcs (5).
- Reconnect power.



Driver must be order separately.

WARNING

- Make sure that the products is installed properly before connecting to electricity.
- Do not cover the fitting.

