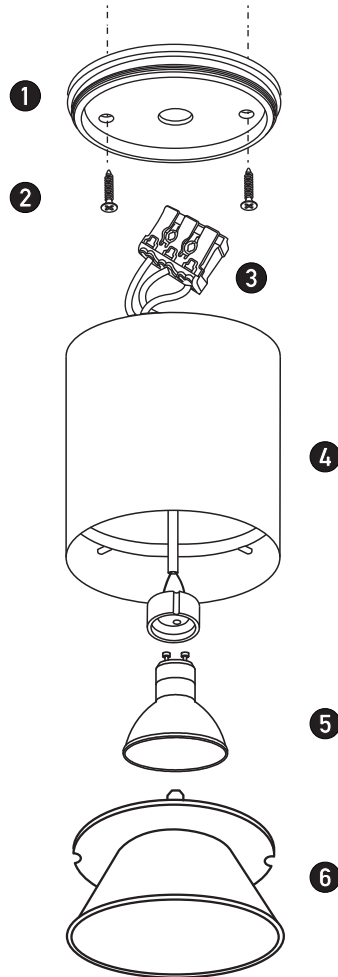
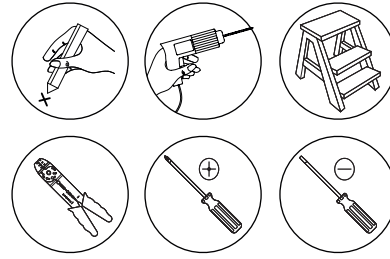


### Connecting the Terminal Block

Connect main supply (brown - Live, blue - Neutral) into terminal block making sure all connections are tight.



Ring must be ordered separately.

## CEILING LIGHT

## Z12105M-W

Please read instructions before commencing installation and retain for future reference.

### SPECIFICATIONS

- **Material:** Aluminium
- **Lamp type:** 1 x GU10 LED MAX 10W
- **Ingress Protection:** IP20. Protection against entry of solid objects greater than 12mm in diameter.

### INSTALLATION INSTRUCTIONS

**⚠** Electrical products can cause death, injury, or damage to property. Maintenance and installation should only be carried out by a professional electrician.

- Ensure main supply is switched off.
- Insert masonry plugs (1) into the mounting surface.
- Fit mounting bracket onto the mounting surface with self-tapping screws (2).
- Connect main supply wires to terminal block (3) making sure all connections are tight.
- Twist the cylinder to lock it onto the mounting bracket (4).
- Twist the GU 10 bulb to lock it onto the lampholder (5).
- Twist the ring to lock it onto the cylinder (6).
- Reconnect power.

### WARNING

- Make sure that the products is installed properly before connecting to electricity.
- Do not cover the fitting.
- Not for outdoor use or in wet conditions.

