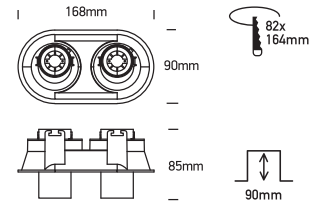


ecolight



LED | 2x 7W | 10V / 700mA | 3000K | 1040Lm
 Required LED Driver V350-1050
 Material: Aluminium

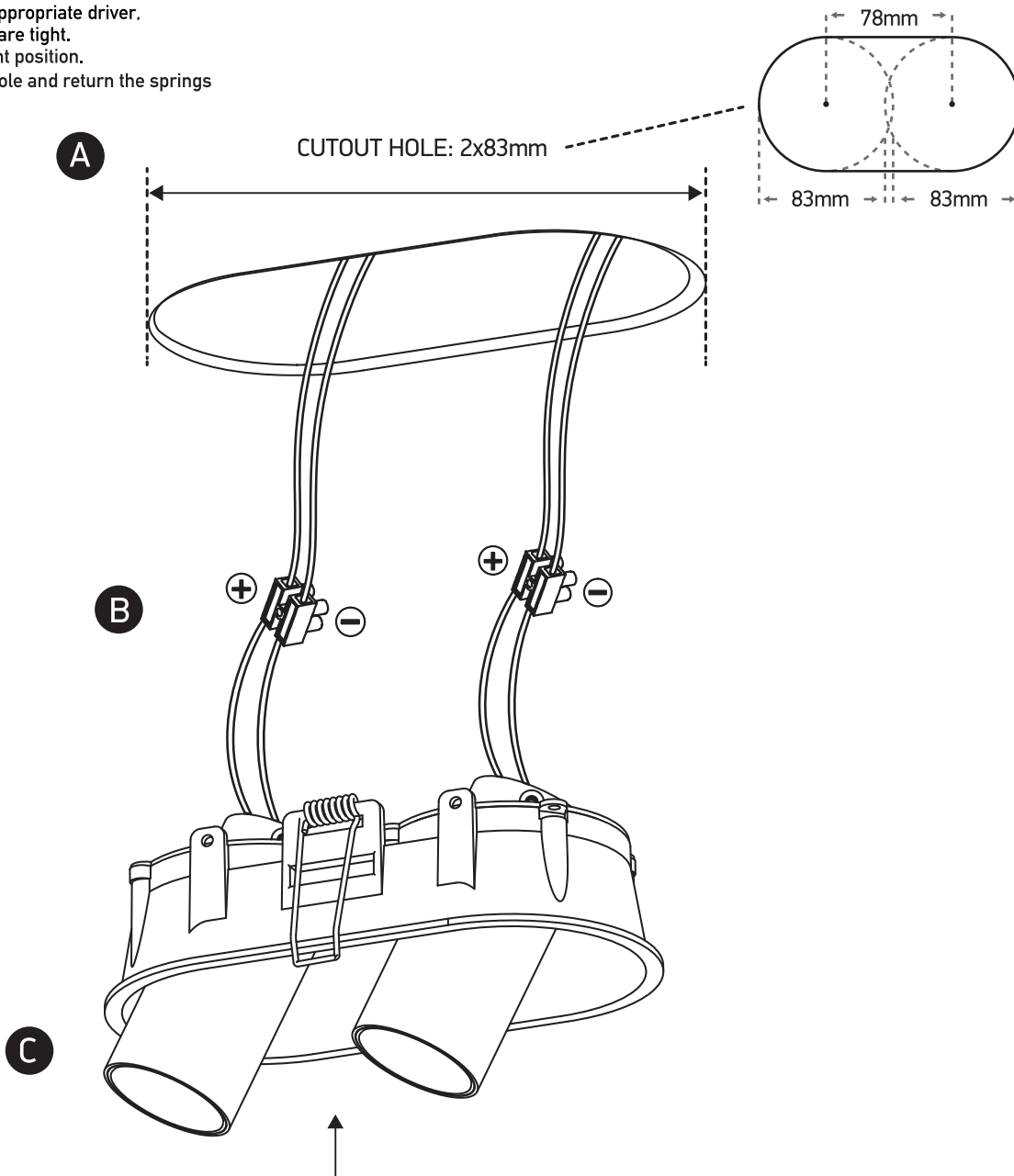


Please read instructions before commencing installation and retain for future reference.

INSTALLATION INSTRUCTIONS

! Electrical products can cause death, injury, or damage to property. Maintenance and installation should only be carried out by a professional electrician.

- Ensure main supply is switched off.
- Cut Out Hole 82 x 164mm and Depth 90mm required into the mounting surface.
- Connect main spot with the appropriate driver, making sure all connections are tight.
- Move the springs to an upright position.
- Insert the spot inside of the hole and return the springs to a vertical position.
- Reconnect power.



WARNING

- Make sure that the products is installed properly before connecting to electricity.
- Do not cover the fitting.
- Not for outdoor use or in wet conditions.
- Do not exceed the maximum wattage rating of the lamp.

