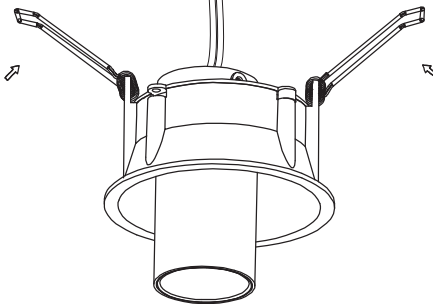
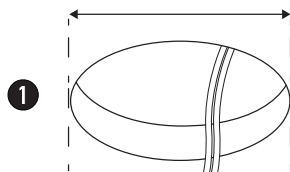


## Connecting the Terminal Block

Connect main supply (brown - Live, blue - Neutral) into terminal block making sure all connections are tight.

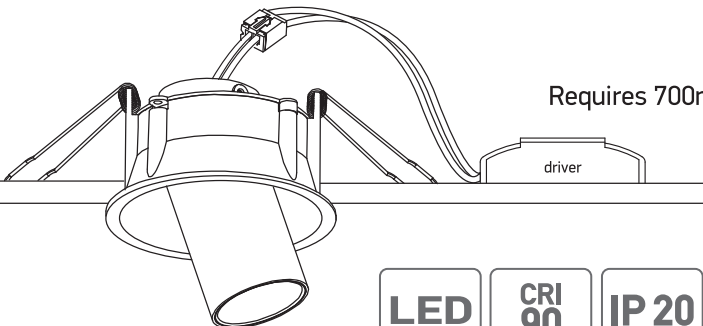
2

CUTOUT HOLE: 83mm



3

4



Requires 700mA driver.

driver

# DOWNLIGHT RECESSED SPOTS

## Z11107-W

Please read instructions before commencing installation and retain for future reference.

## SPECIFICATIONS

- **Material:** Aluminium
- **Lamp type:** LED , 7W , 3000K , 520Lm
- **Ingress Protection:** IP20. Protection against entry of solid objects greater than 12mm in diameter.

## INSTALLATION INSTRUCTIONS

**⚠** Electrical products can cause death, injury, or damage to property. Maintenance and installation should only be carried out by a professional electrician.

- Ensure main supply is switched off.
- Cut Out Hole 83mm (1) into the mounting surface.
- Connect main supply wires to terminal block (2) with the appropriate driver, making sure all connections are tight (driver not included).
- Move the springs to an upright position (3).
- Insert the spot into the inside of the hole (4) and return the springs to a vertical position.
- Reconnect power.

## WARNING

- Make sure that the products is installed properly before connecting to electricity.
- Do not cover the fitting.
- Not for outdoor use or in wet conditions.

