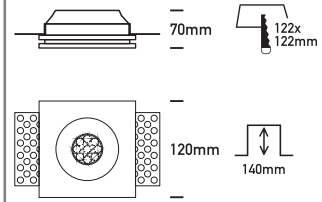




1x GU10 | 50W MAX  
Included Lamp-holder | Trimless  
Material: Gypsum

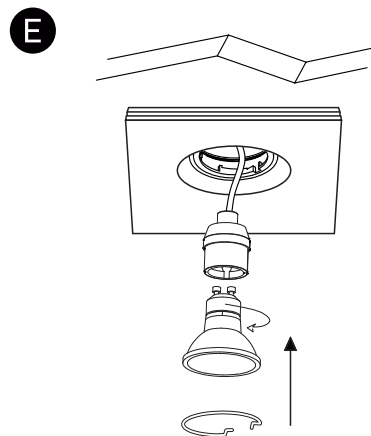
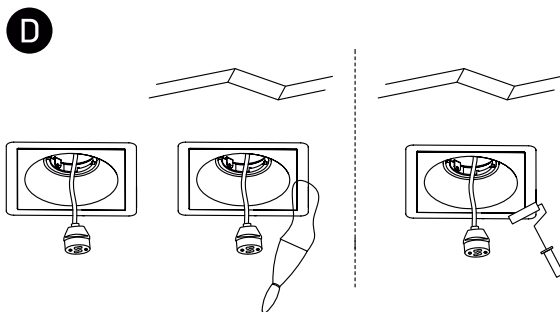
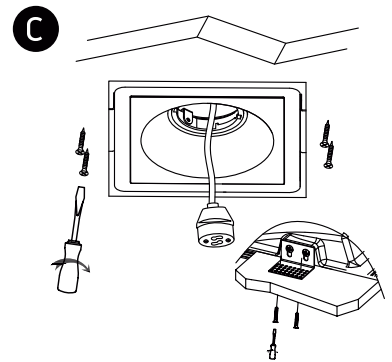
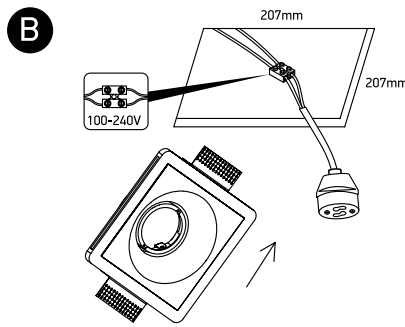
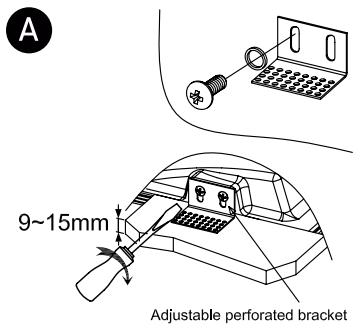


Please read instructions before commencing installation and retain for future reference.

**INSTALLATION INSTRUCTIONS**

**!** Electrical products can cause death, injury, or damage to property. Maintenance and installation should only be carried out by a professional electrician.

- Ensure main supply is switched off.
- Cut Out Hole 122 x 122mm and Depth 140mm required into the mounting surface.
- Screw the adjustable perforated bracket onto the collar.
- Add spot's collar inside of the hole and screw it with the self-taping screws.
- Connect main supply wires to terminal block making sure all connections are tight.
- Cover the hole with plaster or cement and let dry.
- Install the GU10 bulb lock it onto the lump-holder.
- Add the locking ring clip to hold the bulb.
- Reconnect power.



**WARNING**

- Make sure that the products is installed properly before connecting to electricity.
- Do not cover the fitting.
- Not for outdoor use or in wet conditions.
- Do not exceed the maximum wattage rating of the lamp.

