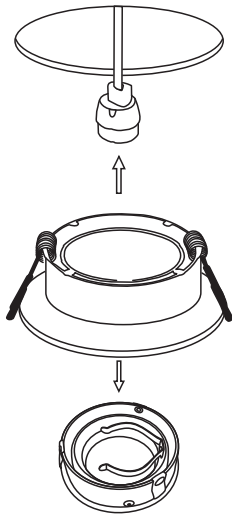


1x GU10 | 50W MAX
Included Lamp-holder | Recessed | Adjustable
Material: Aluminium

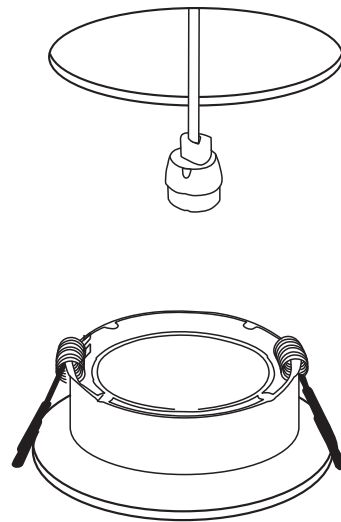


Please read instructions before commencing installation and retain for future reference.

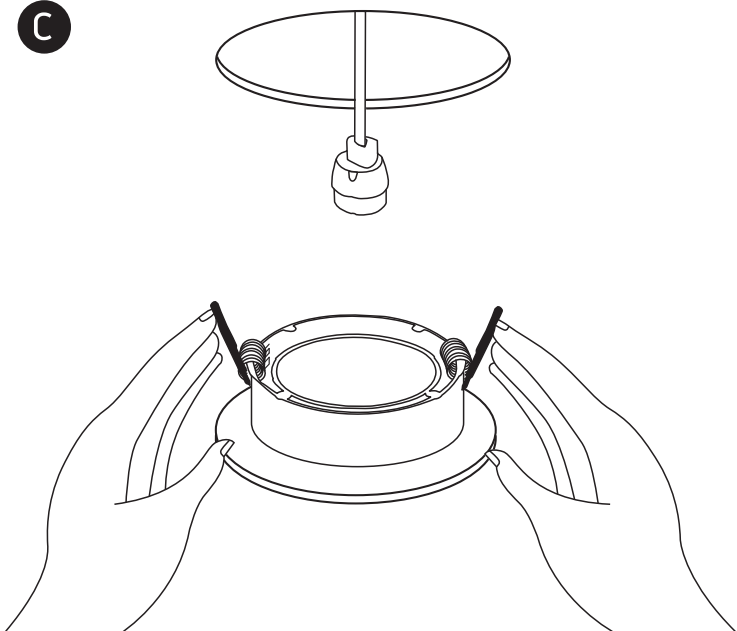
A



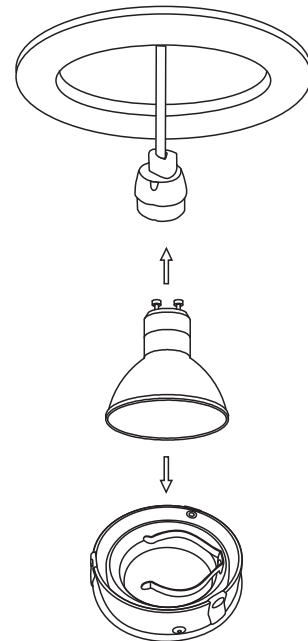
B



C



D



WARNING

- Make sure that the products is installed properly before connecting to electricity.
- Do not cover the fitting.
- Not for outdoor use or in wet conditions.
- Do not exceed the maximum wattage rating of the lamp.

