



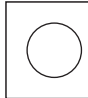
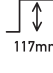

	
1x GU10 50W MAX Included Lamp-holder Recessed Material: Aluminium									

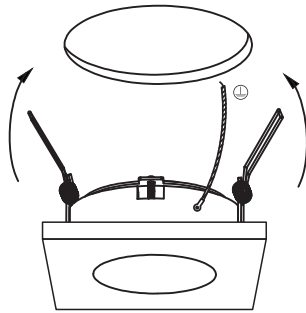
Please read instructions before commencing installation and retain for future reference.

INSTALLATION INSTRUCTIONS

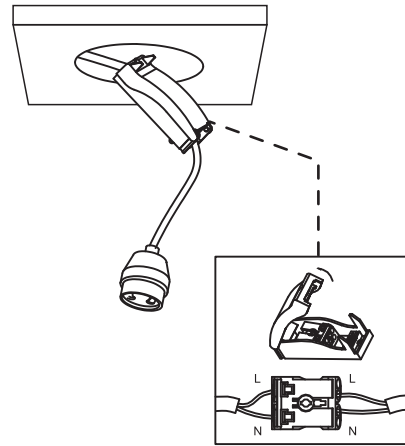
 Electrical products can cause death, injury, or damage to property. Maintenance and installation should only be carried out by a professional electrician.

- Ensure main supply is switched off.
- Cut Out Hole Ø70mm and Depth 117mm required into the mounting surface.
- Move the springs to an upright position.
- Insert the spot inside of the hole and return the springs to a vertical position.
- Remove spot's cover and connect main supply wires to terminal block making sure all connections are tight.
- Install the GU10 bulb and lock it onto the lump-holder.
- Twist the cover clockwise onto the spot.
- Reconnect power.

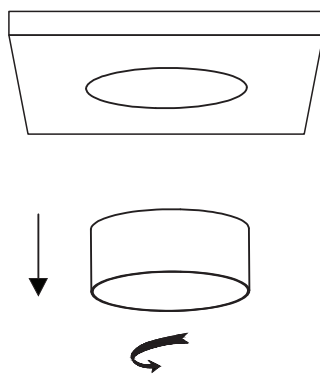
A



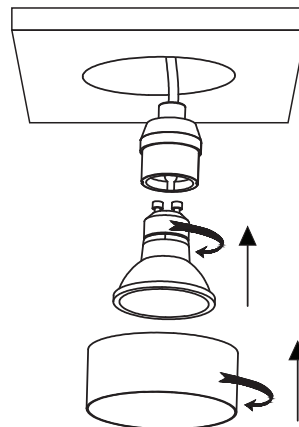
B



C



D



WARNING

- Make sure that the products is installed properly before connecting to electricity.
- Do not cover the fitting.
- Not for outdoor use or in wet conditions.
- Do not exceed the maximum wattage rating of the lamp.

