



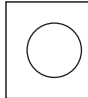


	
1x GU10   50W MAX Included Lamp-holder   Recessed Material: Aluminium									

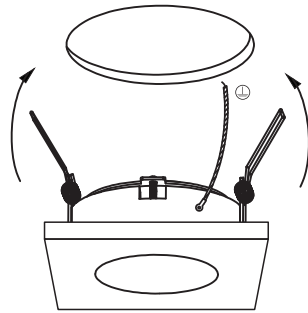
Please read instructions before commencing installation and retain for future reference.

**INSTALLATION INSTRUCTIONS**

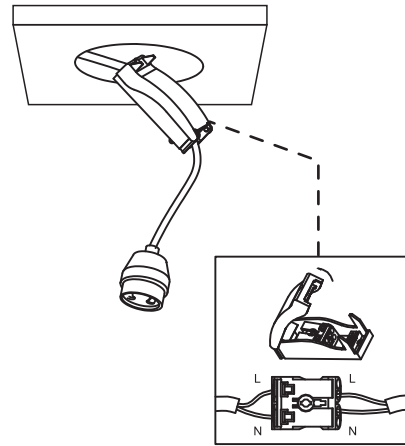
 Electrical products can cause death, injury, or damage to property. Maintenance and installation should only be carried out by a professional electrician.

- Ensure main supply is switched off.
- Cut Out Hole Ø70mm and Depth 117mm required into the mounting surface.
- Move the springs to an upright position.
- Insert the spot inside of the hole and return the springs to a vertical position.
- Remove spot's cover and connect main supply wires to terminal block making sure all connections are tight.
- Install the GU10 bulb and lock it onto the lump-holder.
- Twist the cover clockwise onto the spot.
- Reconnect power.

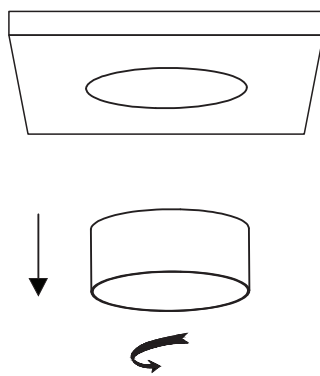
**A**



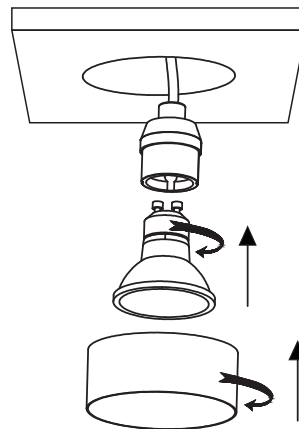
**B**



**C**



**D**



**WARNING**

- Make sure that the products is installed properly before connecting to electricity.
- Do not cover the fitting.
- Not for outdoor use or in wet conditions.
- Do not exceed the maximum wattage rating of the lamp.

