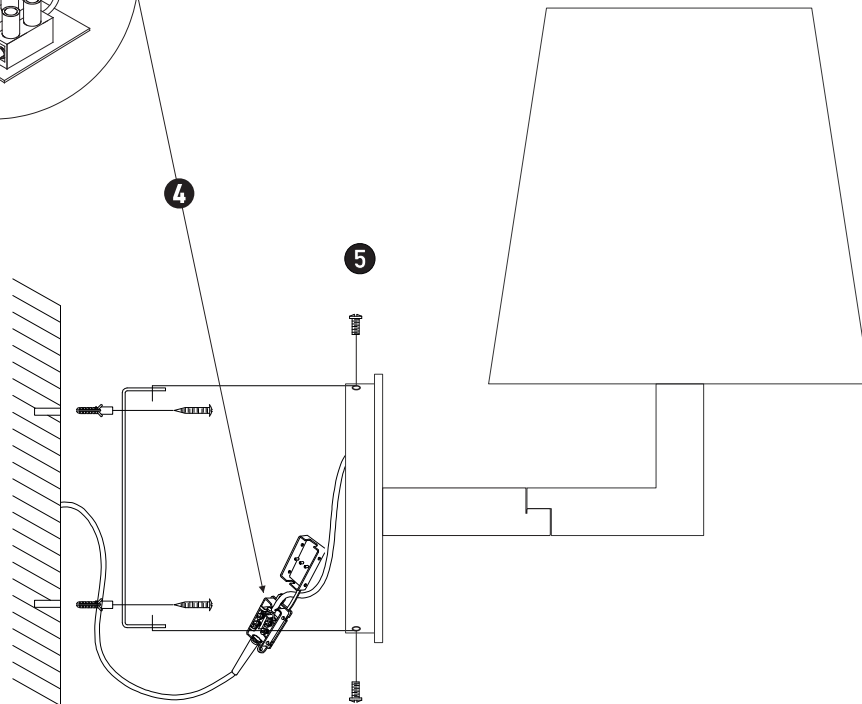
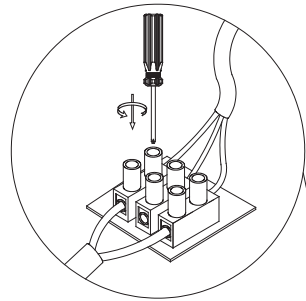
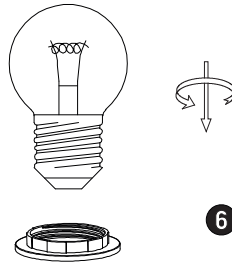
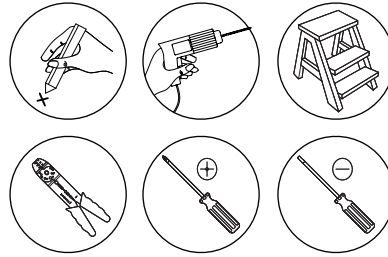


Connecting the Terminal Block

Connect main supply (brown - Live, blue - Neutral) into terminal block making sure all connections are tight.



1 2 3



WALL HOTEL LIGHT

H08-WH

Please read instructions before commencing installation and retain for future reference.

SPECIFICATIONS

- **Material:** Metal + Fabric Shade
- **Lamp type:** 1x E27 , MAX 40W
- **Ingress Protection:** IP20. Protection against entry of solid objects greater than 12mm in diameter.

INSTALLATION INSTRUCTIONS

⚠ Electrical products can cause death, injury, or damage to property. Maintenance and installation should only be carried out by a professional electrician.

- Ensure main supply is switched off.
- Insert the masonry plugs (1) into the mounting surface.
- Fit the mounting bracket (2) onto the mounting surface with self-tapping screws (3).
- Connect main supply wires to the terminal block (4) making sure all connections are tight.
- Fit the wall plate onto the mounting bracket with screws (5).
- Install E27 lamp firmly into the lamp-holder (6).
- Reconnect power.

WARNING

- Make sure that the products is installed properly before connecting to electricity.
- Do not cover the fitting.
- Not for outdoor use or in wet conditions.
- Do not exceed the maximum wattage rating of the lamp.