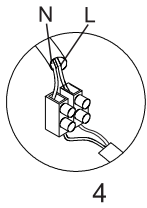




Please read instructions before commencing installation and retain for future reference.

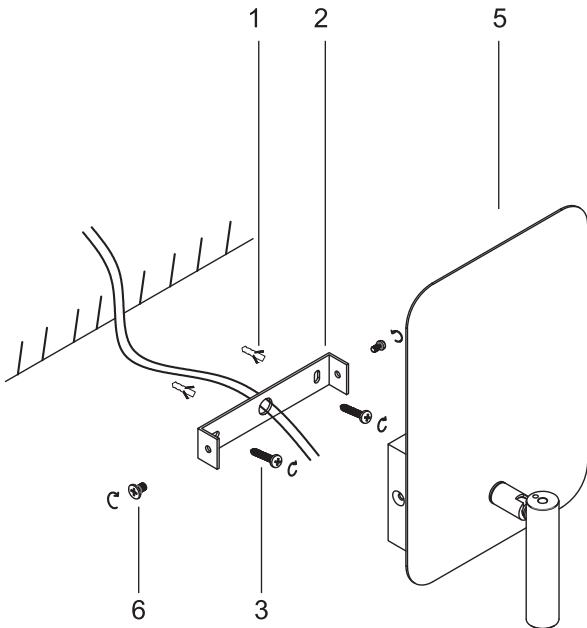


### Connecting the Terminal Block

Connect main supply (brown - live, blue - neutral) into terminal block making sure all connections are tight.

### SPECIFICATIONS:

- **Fitting:** Aluminum + Iron
- **Lamp type:** LED 5+3W 3000K  
Lamps and gears excluded unless otherwise specified.
- **Protection against electric shock:** CLASS I,. Requires earth connection.
- **Ingress Protection:** IP20. Protection against entry of solid objects greater than 12mm in diameter.
- **Quality/Corrosive rating:** QC21: Burning period: 12hrs/24hr cycle. Commercial use, indoor mainly - painted or plated metals. Not for use in corrosive environments.
- **Driver:** Included.



### INSTALLATION INSTRUCTIONS:

**⚠** Electrical products can cause death, injury, or damage to property. Installation of this product must be carried out by a qualified electrician.

- Ensure main supply is switched off.
- Insert masonry plugs (1) into mounting surface.
- Fit mounting bracket(2) onto mounting surface with self-tapping screws(3).
- Connect main supply wires to terminal block (4) making sure all connections are tight.
- Fit wall plate (5) onto mounting bracket with screws(6).
- Reconnect power.

### WARNING:

- Not for outdoor use or in wet conditions.

