

## OUTDOOR IN-GROUND LIGHT E288

Please read instructions before commencing installation and retain for future reference.

### SPECIFICATIONS

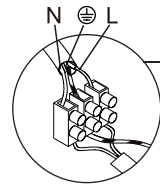
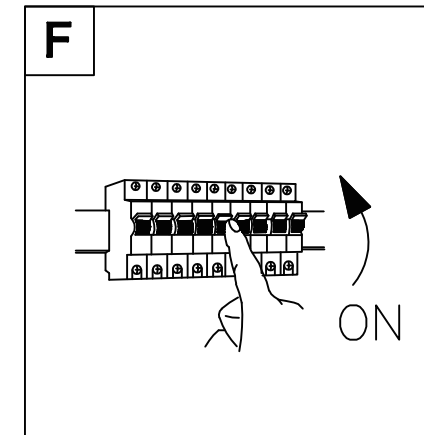
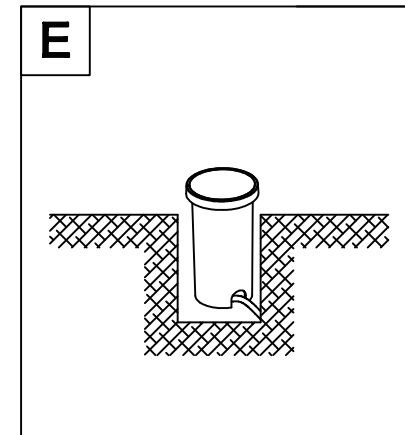
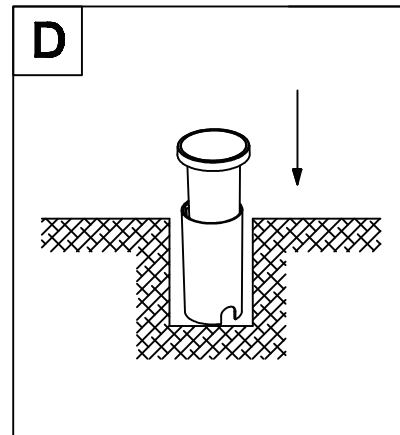
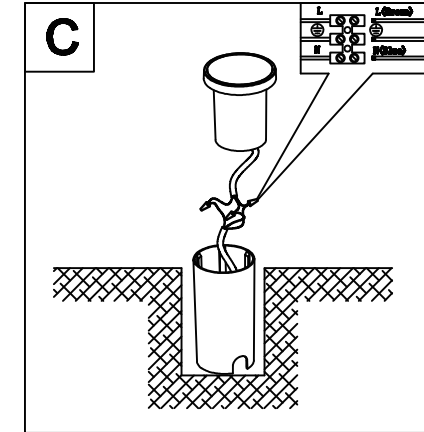
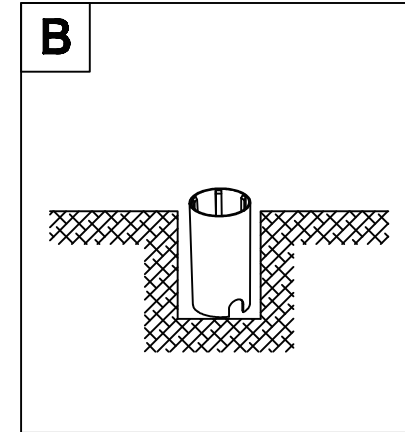
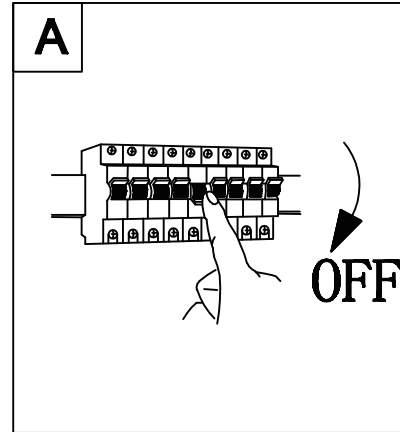
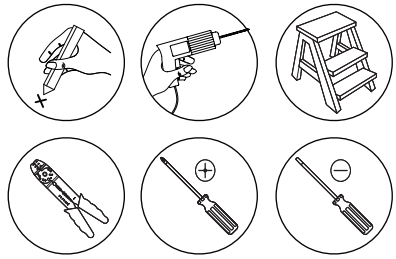
- **Material:** Stainless Steel - PC Diffuser
- **Lamp type:** LED , 2W , 3000K , 200Lm , CRI 80
- **Ingress Protection:** IP65. Protection against entry of solid objects greater than 12mm in diameter.

### INSTALLATION INSTRUCTIONS

**⚠** Electrical products can cause death, injury, or damage to property. Maintenance and installation should only be carried out by a professional electrician.

**⚠** The light source contained in this luminaire shall only be replaced by the manufacturer or his service agent or a similar qualified person.

- Ensure main supply is switched off.
- Required Depth 8cm for recessed mounting box.



#### Connecting the Terminal Block

Connect main supply (**brown - Live, blue - Neutral**) into terminal block making sure all connections are tight.

### WARNING

- Make sure that the products is installed properly before connecting to electricity.
- Do not cover the fitting.

