

# OUTDOOR LED WALL LIGHT E276

Please read instructions before commencing installation and retain for future reference.

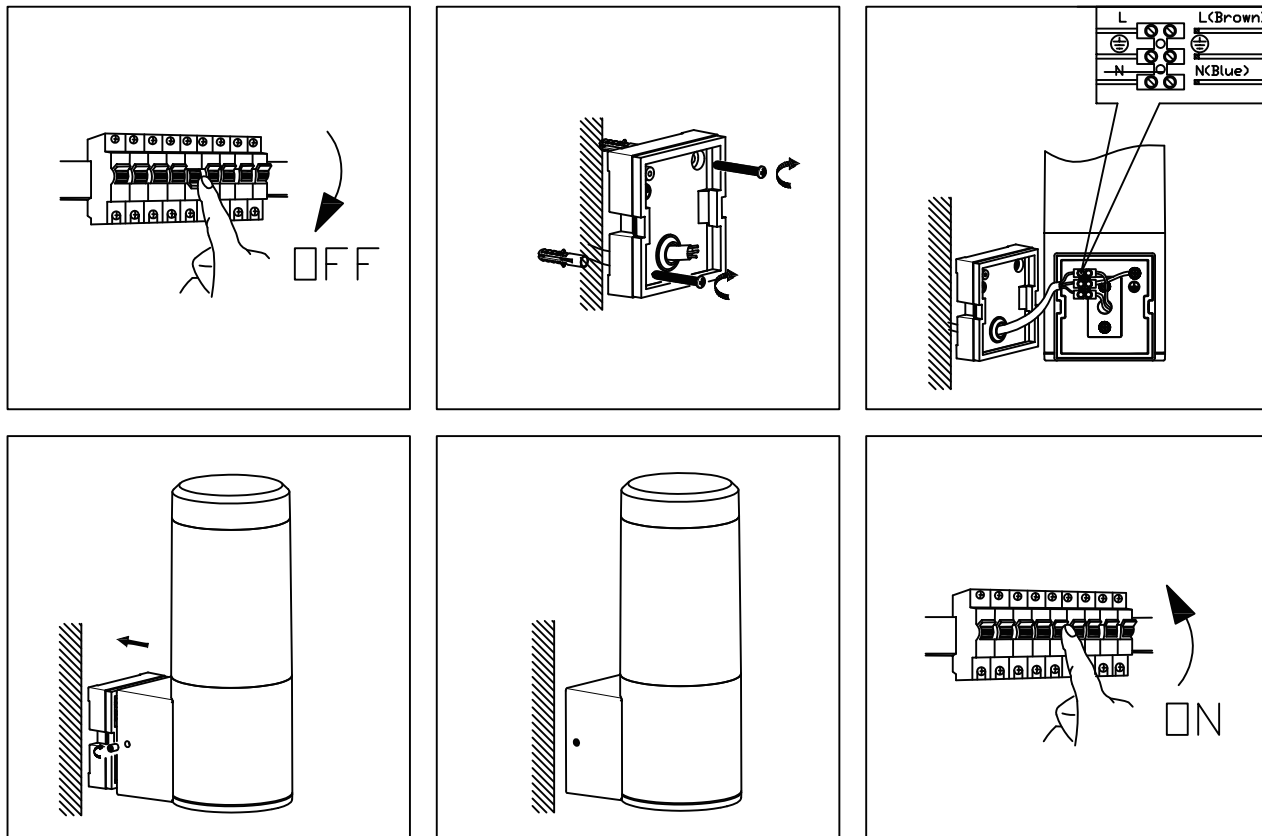
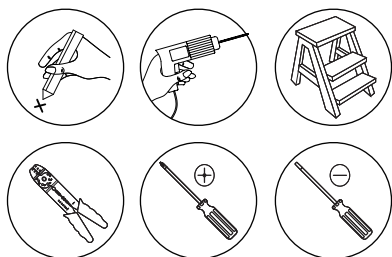
## SPECIFICATIONS

- **Material:** Aluminum - PC Diffuser
- **Lamp type:** LED . 10W , 3000K . 1000Lm . CRI 80
- **Ingress Protection:** IP54. Protection against entry of solid objects greater than 12mm in diameter.

## INSTALLATION INSTRUCTIONS

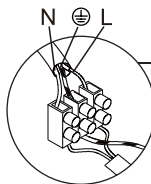
- ⚠ **Electrical products can cause death, injury, or damage to property. Maintenance and installation should only be carried out by a professional electrician.**
- ⚠ **The light source contained in this luminaire shall only be replaced by the manufacturer or his service agent or a similar qualified person.**

- Ensure main supply is switched off.



## WARNING

- Make sure that the products is installed properly before connecting to electricity.
- Do not cover the fitting.



### Connecting the Terminal Block

Connect main supply (**brown - Live, blue - Neutral**) into terminal block making sure all connections are tight.

