

Product Data Sheet

Date: 10/01/2023
www.zambelislights.gr

Code 22109

Color: Black Matte

Smoked Glass

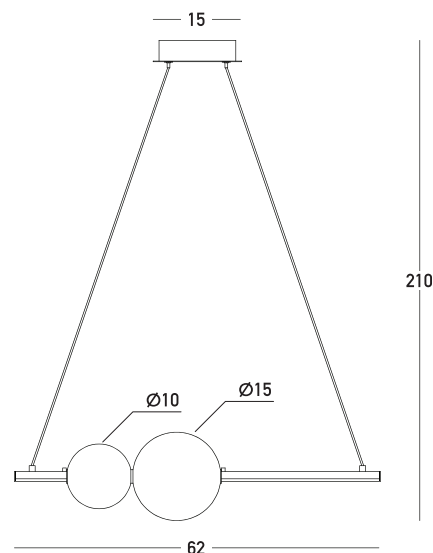
Indoor Lighting

Power	11W
Voltage	220-240V
Operating Frequency	50/60Hz
Color Temperature	3000K
Lumen	1300Lm
Cri	80
Dimensions	L: 62cm W: 15cm H: 15cm
Base	L: 15cm W: 6.5cm H: 5.5cm
Dimmable Triac	○
Material	Aluminum-Glass
Special Feature	200cm Cable Adjustable
Glasses	Ø: 15cm Ø: 10cm
Profile	Ø: 2cm



Description

Pendant LED light
 made of aluminum and smoked glass,
 in black matte shade and
 transparent black glass (smoked).



www.zambelislights.gr | www.zambelislights.com



5213010019428

