

Product Data Sheet

Date: 13/02/2023
www.zambelislights.gr

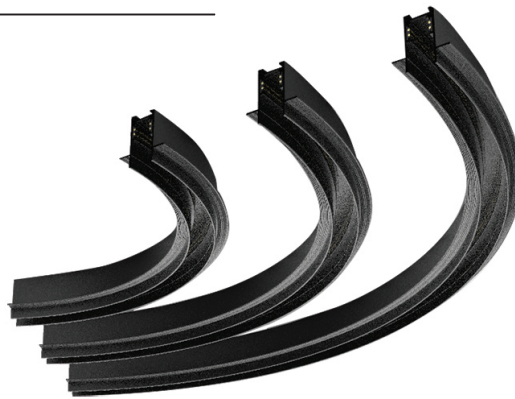
Code 22103

Color: Sandy Black



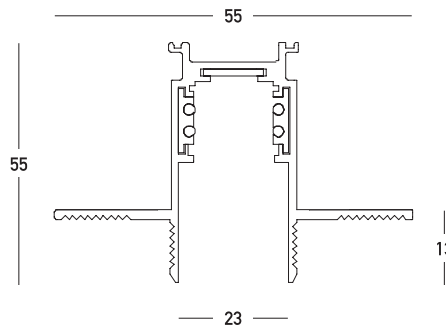
Trimless Curved Track Ø1200mm

Voltage	48V
Dimensions	L: 1252.5mm W: 55mm H: 55mm
Material	Aluminum



Description

48V Trimless Magnetic Curved Rail Ø120cm made of aluminum in a sandy black finish.



5213010019299



www.zambelislights.gr | www.zambelislights.com

