

## Product Data Sheet

Date: 01/09/2021  
[www.zambelislights.gr](http://www.zambelislights.gr)

Code 20321-B

Color: Sandy Black



### Pendant Driver 150W BLUETOOTH KIT

Power	150W
Input	220-240 , 50-60Hz
Output	48V
Dimensions	L: 56.2cm W: 2.6cm H: 5.2cm
Special Feature	200cm Cable Available

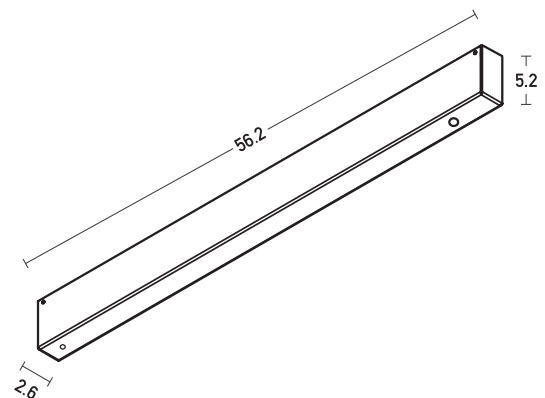


### Description

Pendant Base with Driver 150W BLUETOOTH KIT  
 for Surface Magnetic Track in Sandy Black color.

\*5 Years Guarantee

Suggested for 48V Magnetic Track System.



5213010016137

