

Product Data Sheet

Date: 01/09/2021
www.zambelislights.gr

Code 20315-B

Color: Sandy Black



Pendant Driver 150W ON-OFF

Power	150W
Input	220-240 , 50-60Hz
Output	48V
Dimensions	L: 56.2cm W: 2.6cm H: 5.2cm
Special Feature	200cm Cable Available

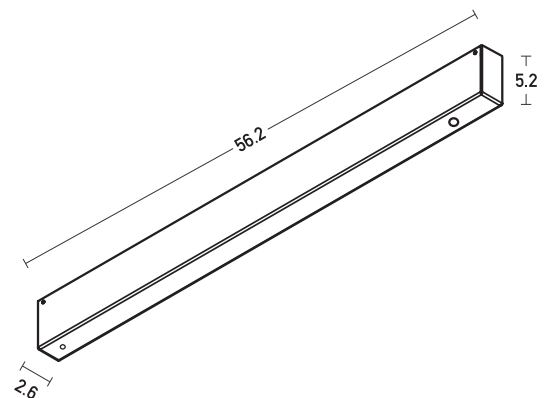


Description

Pendant Base with Driver 150W ON-OFF
 for Surface Magnetic Track in Sandy Black color.

*5 Years Guarantee

Suggested for 48V Magnetic Track System.



5213010015956

