

Product Data Sheet

Date: 31/08/2021
www.zambelislights.gr

Code 20311-W

Color: Sandy White



Ceiling Driver 150W PUSH BUTTON KIT

Power	150W
Input	220-240 , 50-60Hz
Output	48V
Dimensions	L: 56.2cm W: 2.6cm H: 5.2cm

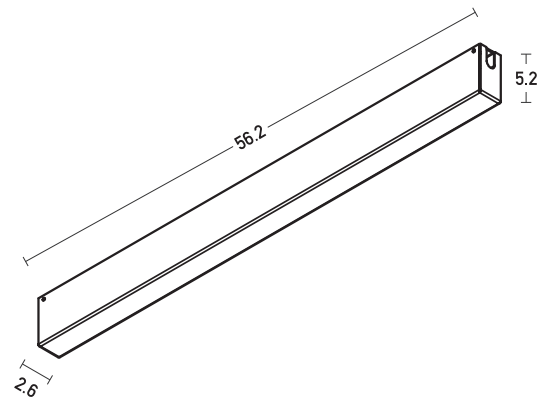


Description

Surface Mount Base with Driver 150W PUSH BUTTON KIT in Sandy White color.

*5 Years Guarantee

Suggested for 48V Magnetic Track System.



5213010015840

