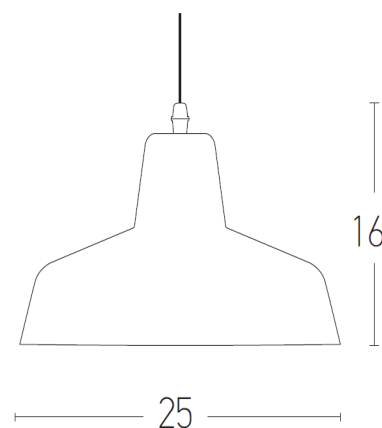


Indoor Lighting

1655
Pendant Light

Bulb:	1x E27 MAX 40W
Voltage:	220-240V
Operating Frequency:	50/60HZ
IP:	IP20
Class:	I
Color:	Concrete/ Chrome Base
Material:	Concrete
Diameter:	25 cm
Height:	16 cm
Available Cable:	100cm
Net Weight:	2 Kg



Description

Pendant light made by concrete with chrome coloured base.

E27
LAMP



5213006840456



PRODUCT DATA SHEET