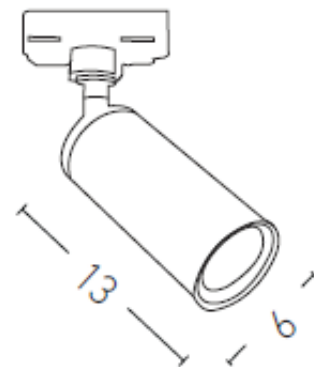


Architectural Lighting

S062 | Track light

| | |
|----------------------|-----------------|
| Bulb : | 1xGU10 MAX 35W |
| Voltage: | 220-240V |
| Operating Frequency: | 50-60Hz |
| Class: | I |
| IP: | IP20 |
| Color: | Black Matt |
| Material: | Aluminium |
| Length: | 13 cm |
| Diameter: | 6cm |
| Height: | 17cm |
| Special Feature: | 3 Phase adapter |
| Net Weight: | 0.35 Kg |



Description

Track light for 3 phase track in Black matt finish .

LED
LIGHTING



5213007836502

CE

PRODUCT DATA SHEET