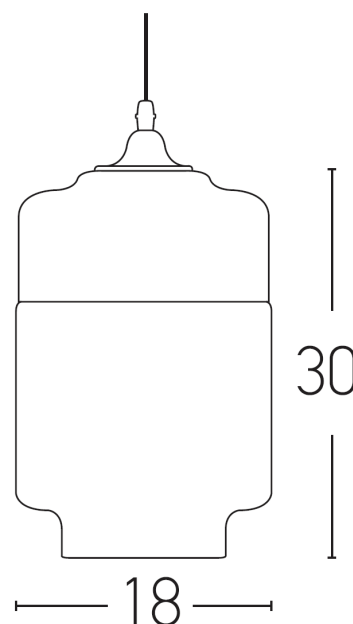


## Interior Lighting

### 1517 Pendant light

Bulb:	1xE27 MAX 40W
Voltage:	220-240V
Operating Frequency:	50/60HZ
IP:	IP20
Class:	I
Color:	Champagne-Black Matt
Material:	Glass
Available Cable:	150 cm
Height:	30 cm
Diameter:	18 cm
Net Weight:	1,45 Kg



## Description

Pendant light from glass in champagne & black matt color.

**E27**  
LAMP



5213006843174



PRODUCT DATA SHEET