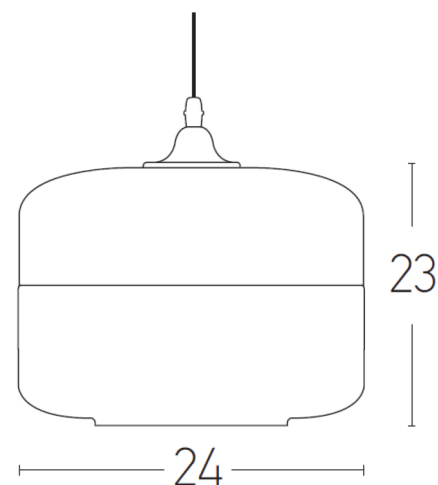


Interior Lighting

1516

Pendant light

Bulb:	1xE27 MAX 40W
Voltage:	220-240V
Operating Frequency:	50/60HZ
IP:	IP20
Class:	I
Color:	Champagne-Black Matt
Material:	Glass
Available Cable:	150 cm
Height:	23 cm
Diameter:	24 cm
Net Weight:	1,6 Kg



Description

Pendant light from glass in champagne & black matt color.

E27
LAMP



5213006843167



PRODUCT DATA SHEET