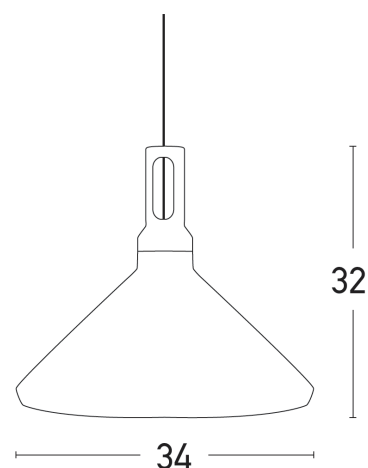


Interior Lighting

1512-LG Pendant light

Bulb:	1xE27 MAX 40W
Voltage:	220-240V
Operating Frequency:	50/60HZ
IP:	IP20
Class:	I
Color:	Light Green
Material:	Aluminium
Cable Length:	120 cm
Height:	32 cm
Diameter:	34 cm
Net Weight:	1,5 kg



Description

Modern Aluminium pendant light in light green color.

E27
LAMP



5213007833709



PRODUCT DATA SHEET