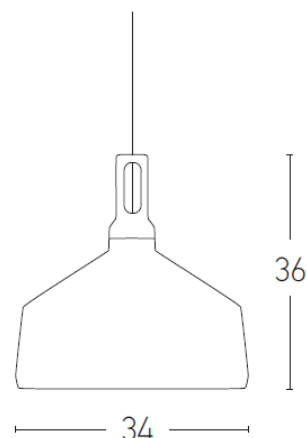


## Interior Lighting

### 1511-W | Pendant light

|                      |                      |
|----------------------|----------------------|
| Bulb:                | 1xE27 MAX 40W        |
| Voltage:             | 220-240V             |
| Operating Frequency: | 50/60HZ              |
| IP:                  | IP20                 |
| Class:               | I                    |
| Color:               | White                |
| Material:            | Metal-Aluminium-Wood |
| Cable Length:        | 120 cm               |
| Height:              | 36 cm                |
| Diameter:            | 34 cm                |
| Net Weight:          | 1,5 Kg               |



## Description

Aluminium pendant light in white color.

**E27**  
LAMP



5213007833631



PRODUCT DATA SHEET