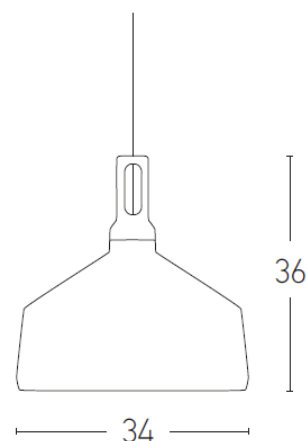


## Interior Lighting

### 1511-B | Pendant light

Bulb:	1xE27 MAX 40W
Voltage:	220-240V
Operating Frequency:	50/60HZ
IP:	IP20
Class:	I
Color:	Black
Material:	Metal-Aluminium-Wood
Cable Length:	120 cm
Height:	36 cm
Diameter:	34 cm
Net Weight:	1,5Kg



## Description

Aluminium pendant light in black color.

**E27**  
LAMP



5213007833648



PRODUCT DATA SHEET