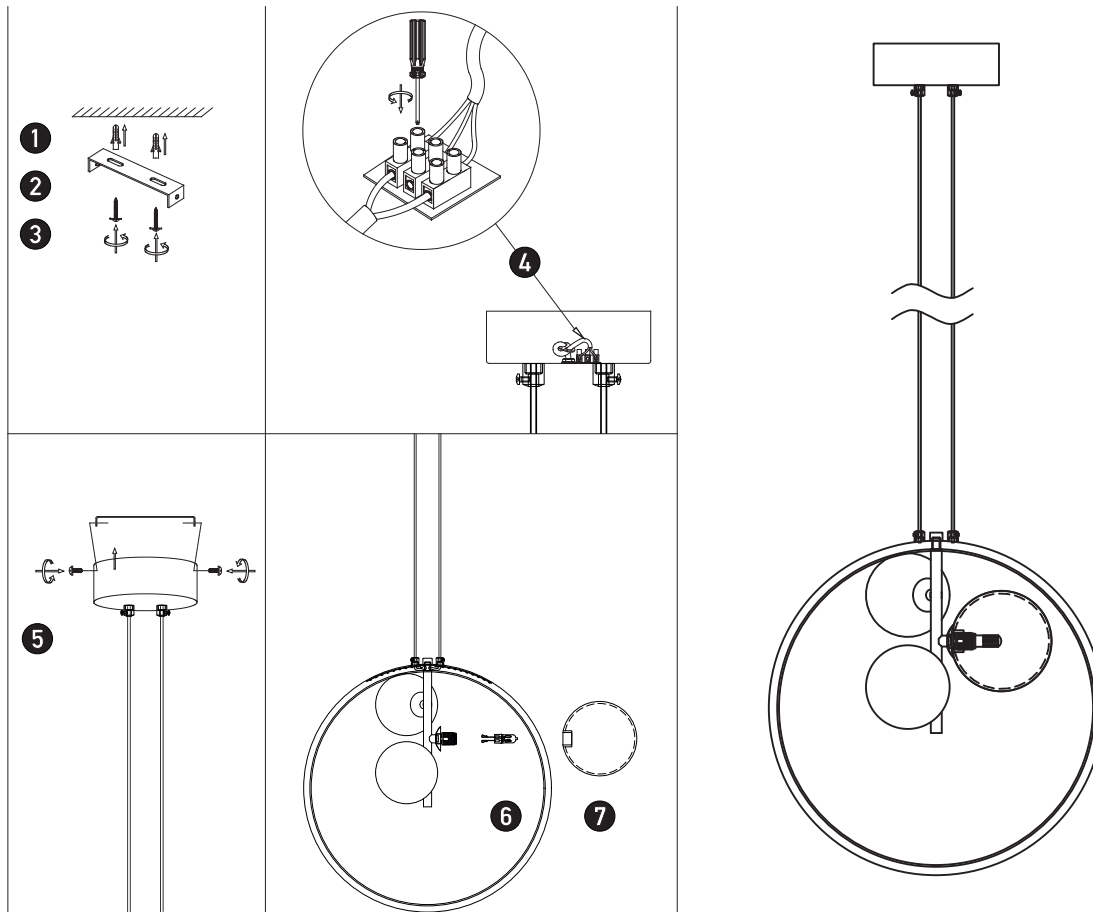


### Connecting the Terminal Block

Connect main supply (brown - Live, blue - Neutral) into terminal block making sure all connections are tight.



# PENDANT LIGHT

22064

Please read instructions before commencing installation and retain for future reference.

### SPECIFICATIONS

- **Material:** Metal + Aluminum + Glass + Silicon
- **Lamp Type:** LED , 20W , 3000K , 2600Lm , CRI 80 | 3x G9 LED Bulb , 7W MAX / Bulb
- **Ingress Protection:** IP20. Protection against entry of solid objects greater than 12mm in diameter.

### INSTALLATION INSTRUCTIONS

**⚠** Electrical products can cause death, injury, or damage to property. Maintenance and installation should only be carried out by a professional electrician.

- Ensure main supply is switched off.
- Insert the masonry plugs (1) into the mounting surface.
- Fit the mounting bracket (2) onto the mounting surface with the self-taping screws (3).
- Connect main supply wires to terminal block (4) making sure all connections are tight.
- Fit the ceiling plate onto the mounting bracket with the screws (5).
- Fit all G9 LED lamps firmly into lamp-holders (6).
- Screw clockwise all the glasses (7).
- Reconnect power.

### WARNING

- Make sure that the products is installed properly before connecting to electricity.
- Do not cover the fitting.
- Not for outdoor use or in wet conditions.

