

Please read instructions before commencing installation and retain for future reference.

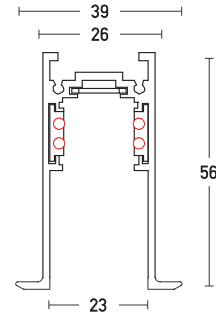
INSTALLATION INSTRUCTIONS

⚠ Electrical products can cause death, injury, or damage to property. Maintenance and installation should only be carried out by a professional electrician.

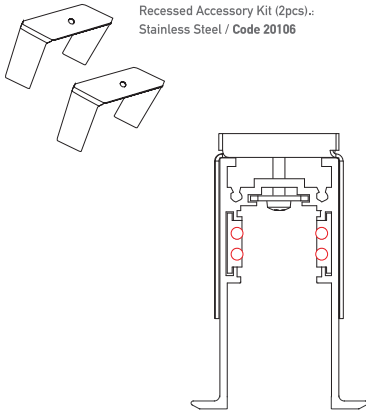
- Make sure the power stay on power OFF position before safe operation.
- Check the lighting fixture and accessories before installation.
- If there is any damage in lamp body or glass, please stop the installation.
- Make sure that the products is installed properly before connecting to electricity.
- Do not cover the fitting.
- Not for outdoor use or in wet conditions.

Cutting Hole 29mm

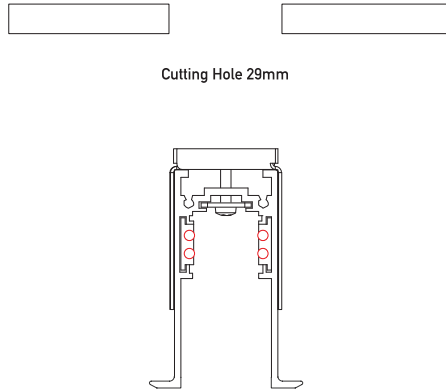
Dimensions Indicated in Millimeters.



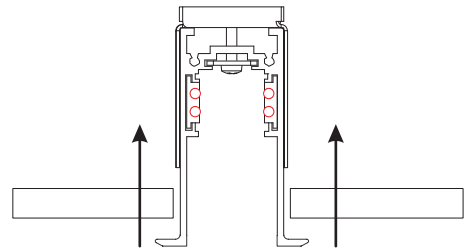
step 1.: Fit the recessed accessory on the track.



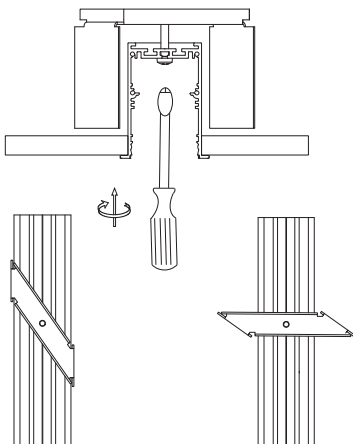
step 2.: Prepare the cutting hole.



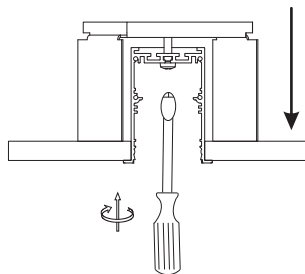
step 3.: Insert the profile to the hole.



step 4.: Screw the fixation parts in order to open the tool.

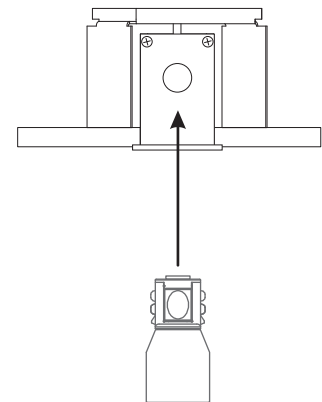


step 5.: Keep screwing to lock the fixation part with the ceiling. Connect the terminal block according the electrical instructions.



step 6.: Put the end caps to the profile.

step 7.: Connect the feeder and insert the magnetic luminaire.



Metal End Caps with Hole.:
Color Black / Code 20108-1B
Color White / Code 20108-1W

Metal End Caps without Hole.:
Color Black / Code 20108-B
Color White / Code 20108-W

