



Please read instructions before commencing installation and retain for future reference.

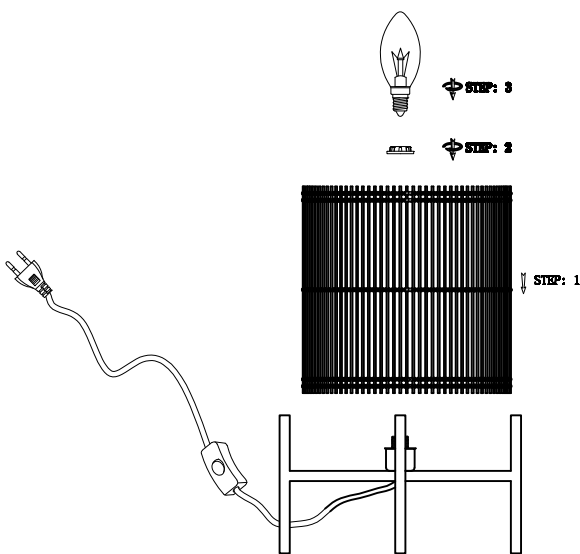
SPECIFICATIONS:

- **Fitting:** RATTAN
- **Lamp type:** E14 MAX 40W
Lamps and gears excluded unless otherwise specified
- **Protection against electric shock:** CLASS II. Double insulated. Does not require earth connection.
- **Ingress Protection:** IP20. Protection against entry of solid objects greater than 12mm in diameter
- **Quality/Corrosive rating:** QC21: Burning period: 12hrs/24hr cycle. Commercial use, indoor mainly - painted or plated metals. Not for use in corrosive environments.

INSTALLATION INSTRUCTIONS:

⚠ Electrical products can cause death, injury, or damage to property. Installation of this product must be carried out by a qualified electrician.

- Ensure mains supply is switched off.
- Install the lamp shade on the lamp seat with screws
- Fit lamps firmly into lampholders
- Reconnect power.



WARNING:

- This fitting must be earthed.

