

Please read instructions before commencing installation and retain for future reference.

INSTALLATION INSTRUCTIONS

⚠ Electrical products can cause death, injury, or damage to property. Maintenance and installation should only be carried out by a professional electrician.

- Make sure the power stay on power OFF position before safe operation.
- Check the lighting fixture and accessories before installation.
- If there is any damage in lamp body or glass, please stop the installation.
- Make sure that the products is installed properly before connecting to electricity.
- Do not cover the fitting.
- Not for outdoor use or in wet conditions.

Product Name	Aluminium Profile
Cover	Opal PC Cover
Dimensions	W: 5.66cm H: 1.06cm
Length	2m
LED Strip Place	W: 1.25cm
Material	Aluminium

Profile Set **Code 20203**

2m Aluminium Profile
2m Opal PC Cover

Accessories Set **Code 20203-E**

End Caps with Hole (2pcs)
End Caps without Hole (2pcs)

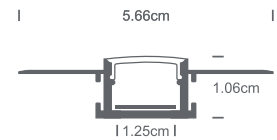


End Caps

step 1.:

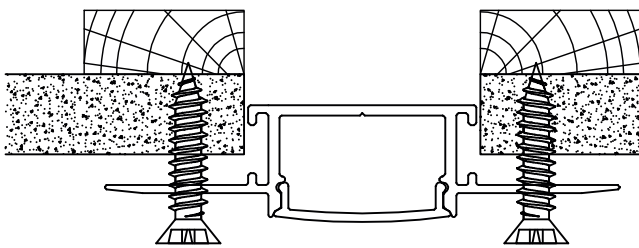
1.70x200cm

CUT OUT HOLE: 1.70cm

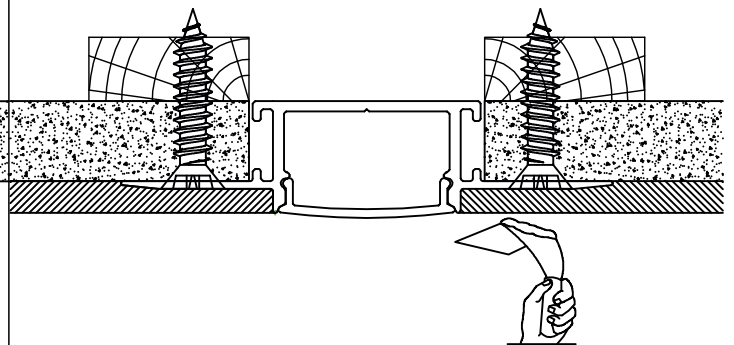


Mark the plasterboard ceiling and cut a hole for the profile.

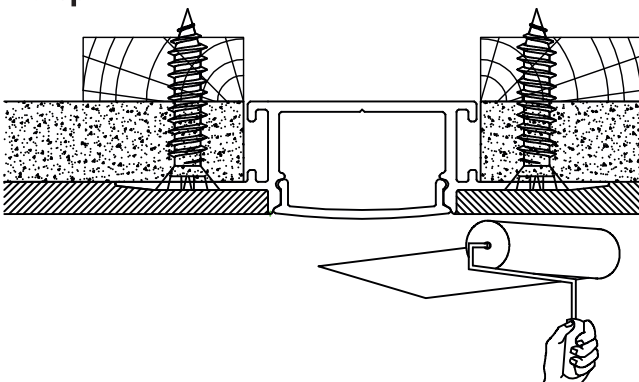
step 2.:



step 3.:



step 4.:



step 5.:

