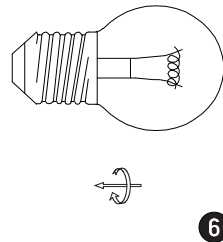
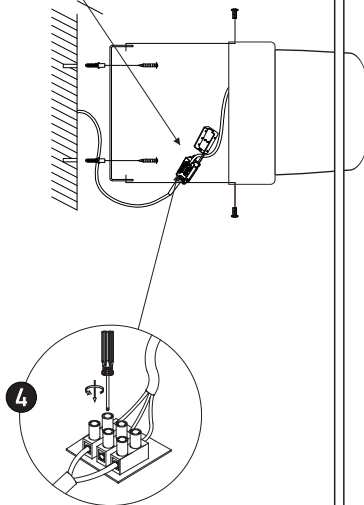
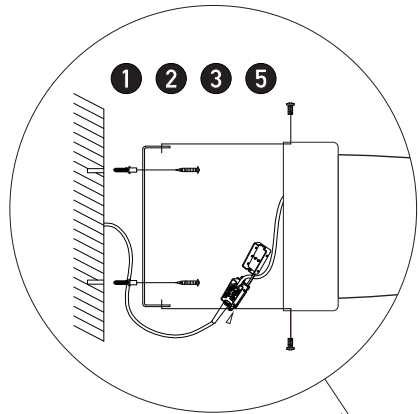
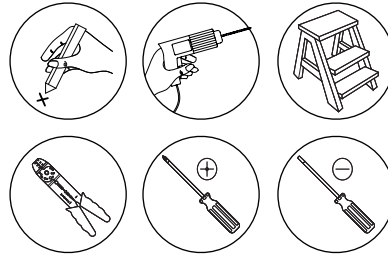


Connecting the Terminal Block

Connect main supply (brown - Live, blue - Neutral) into terminal block making sure all connections are tight.



WALL LIGHT

19250

Please read instructions before commencing installation and retain for future reference.

SPECIFICATIONS

- **Material:** Metal + Bamboo
- **Lamp type:** 1x E27 , 40W MAX
- **Ingress Protection:** IP20. Protection against entry of solid objects greater than 12mm in diameter.

INSTALLATION INSTRUCTIONS

Electrical products can cause death, injury, or damage to property. Maintenance and installation should only be carried out by a professional electrician.

- Ensure main supply is switched off.
- Insert the masonry plugs (1) into the mounting surface.
- Fit the mounting bracket (2) onto the mounting surface with the self-tapping screws (3).
- Connect main supply wires to the terminal block (4) making sure all connections are tight.
- Fit the wall plate onto the mounting bracket with screws (5).
- Fit E27 lamp firmly into the lampholder (6).
- Reconnect power.

WARNING

- Make sure that the products is installed properly before connecting to electricity.
- Do not cover the fitting.
- Not for outdoor use or in wet conditions.
- Do not exceed the maximum wattage rating of the lamp.

