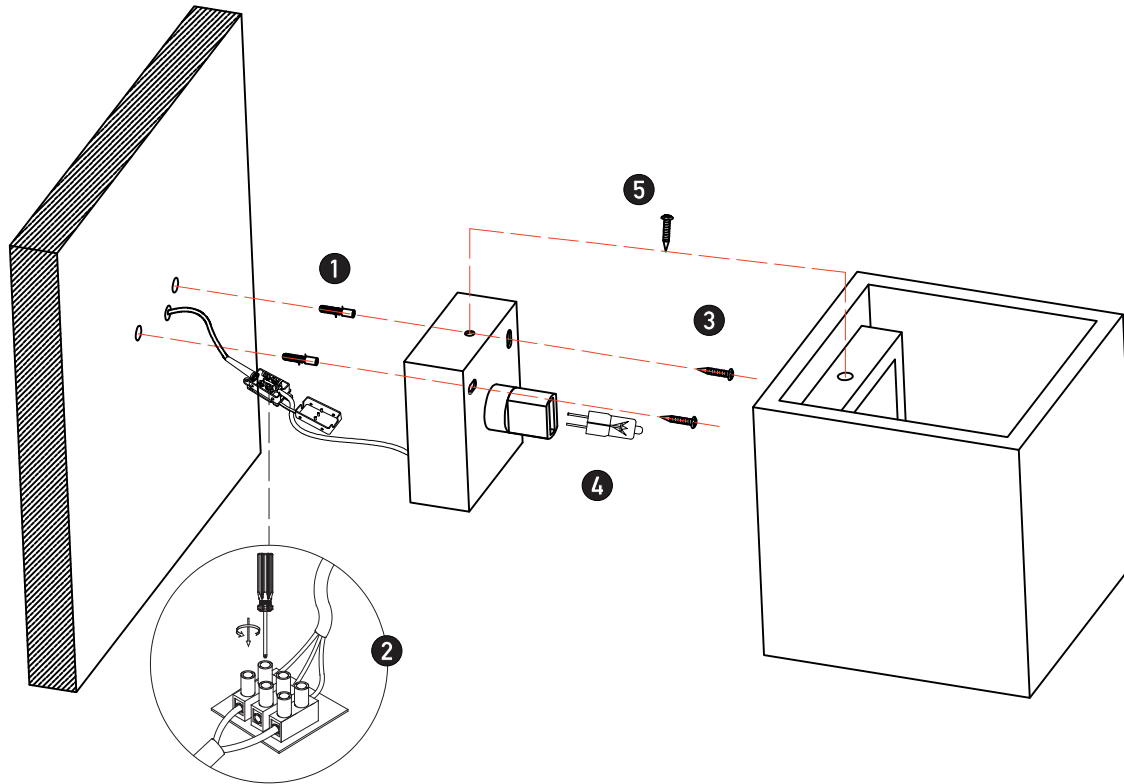




Connecting the Terminal Block

Connect main supply (brown - Live, blue - Neutral) into terminal block making sure all connections are tight.

2



WALL LIGHT


180023 

Please read instructions before commencing installation and retain for future reference.

SPECIFICATIONS

- **Material:** Concrete
- **Lamp type:** 1 x G9 , MAX 25W
- **Ingress Protection:** IP20. Protection against entry of solid objects greater than 12mm in diameter.

INSTALLATION INSTRUCTIONS

 Electrical products can cause death, injury, or damage to property. Maintenance and installation should only be carried out by a professional electrician.

- Ensure main supply is switched off.
- Insert masonry plugs (1) into mounting surface.
- Connect main supply wires to terminal block (2) making sure all connections are tight.
- Fit mounting bracket onto mounting surface with self-tapping screws (3).
- Fit G9 bulb firmly into lampholder (4).
- Secure the light onto mounting bracket with self-tapping screw (5).
- Reconnect power.

WARNING

- Make sure that the products is installed properly before connecting to electricity.
- Do not cover the fitting.
- Not for outdoor use or in wet conditions.

