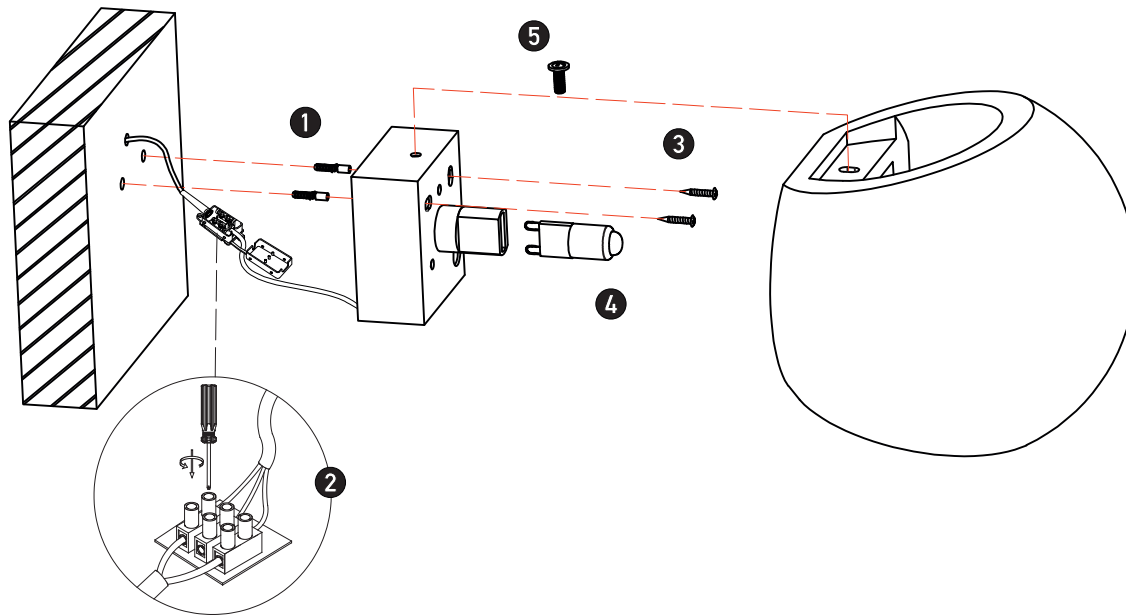




## Connecting the Terminal Block

Connect main supply (brown - Live, blue - Neutral) into terminal block making sure all connections are tight.

2



# WALL LIGHT

# 180021

Please read instructions before commencing installation and retain for future reference.

## SPECIFICATIONS

- **Material:** Concrete
- **Lamp type:** 1 x G9 , MAX 25W
- **Ingress Protection:** IP20. Protection against entry of solid objects greater than 12mm in diameter.

## INSTALLATION INSTRUCTIONS

**!** Electrical products can cause death, injury, or damage to property. Maintenance and installation should only be carried out by a professional electrician.

- Ensure main supply is switched off.
- Insert masonry plugs (1) into mounting surface.
- Connect main supply wires to terminal block (2) making sure all connections are tight.
- Fit mounting bracket onto mounting surface with self-tapping screws (3).
- Fit G9 bulb firmly into lampholder (4).
- Secure the light onto mounting bracket with self-tapping screw (5).
- Reconnect power.

## WARNING

- Make sure that the products is installed properly before connecting to electricity.
- Do not cover the fitting.
- Not for outdoor use or in wet conditions.

