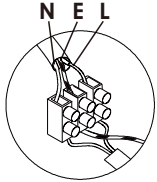




Please read instructions before commencing installation and retain for future reference.

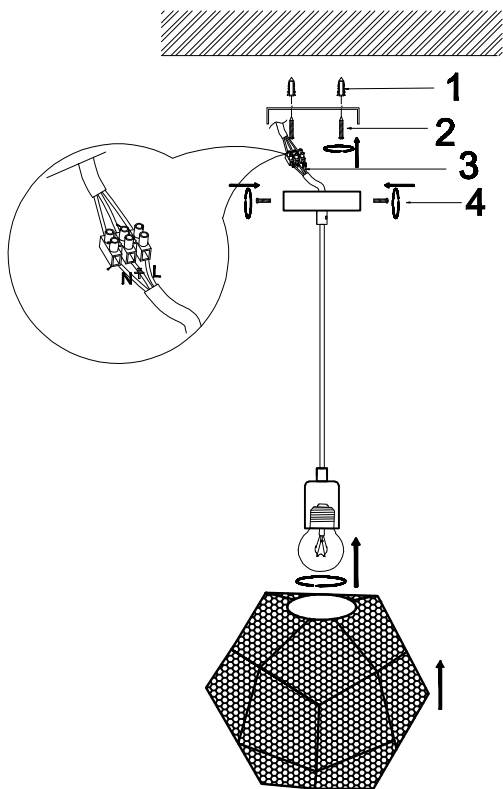


Connecting the Terminal Block

Connect main supply (brown - live, blue - neutral, green/yellow - earth) into terminal block making sure all connections are tight.

SPECIFICATIONS:

- **Fitting:** Metal
- **Lamp type:** E27 1x40W.
Lamps and gears excluded unless otherwise specified.
- **Protection against electric shock:** CLASS I, . Requires earth connection.
- **Ingress Protection:** IP20. Protection against entry of solid objects greater than 12mm in diameter.
- **Quality/Corrosive rating:** QC21: Burning period: 12hrs/24hr cycle. Commercial use, indoor mainly - painted or plated metals. Not for use in corrosive environments.



INSTALLATION INSTRUCTIONS:

⚠ Electrical products can cause death, injury, or damage to property. Installation of this product must be carried out by a qualified electrician.

Ensure mains supply is switched off.

- Insert masonry plugs (1) into mounting surface.
- Fit mounting bracket onto mounting surface with self-tapping screws (2).
- Connect main supply wires to terminal block (3) making sure all connections are tight.
- Fit ceiling cup onto mounting bracket with screws (4).
- Reconnect power.

WARNING:

- Not for outdoor use or in wet conditions.

