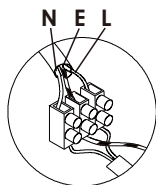


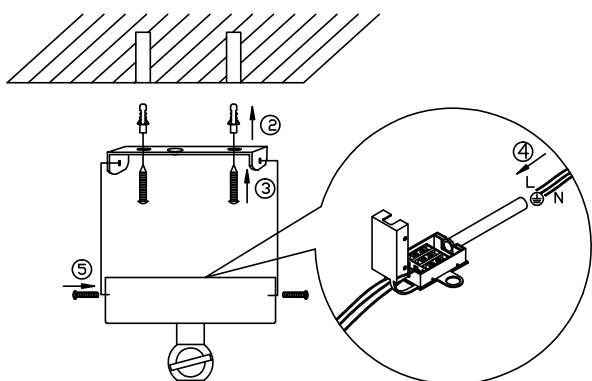


Please read instructions before commencing installation and retain for future reference.



#### **Connecting the Terminal Block**

Connect main supply (brown - live, blue - neutral, green/yellow - earth) into terminal block making sure all connections are tight.



#### **SPECIFICATIONS:**

- **Fitting:** Metal+PC
- **Lamp type:** LED 2X5W 3000K  
Lamps and gears excluded unless otherwise specified
- **Protection against electric shock:** CLASS I. Requires earth connection.
- **Ingress Protection:** IP20. Protection against entry of solid objects greater than 12mm in diameter.
- **Quality/Corrosive rating:** QC21: Burning period: 12hrs/24hr cycle. Commercial use, indoor mainly - painted or plated metals. Not for use in corrosive environments.

#### **INSTALLATION INSTRUCTIONS:**

**⚠** Electrical products can cause death, injury, or damage to property. Installation of this product must be carried out by a qualified electrician.

- Ensure mains supply is switched off.
- Install KD's iron pipe
- Insert masonry plugs into mounting surface.
- Fit mounting bracket onto mounting surface with self-tapping screws.
- Connect main supply wires to terminal block making sure all connections are tight.
- Fit ceiling cup onto mounting bracket with screws.
- Reconnect power.

#### **WARNING:**

- Not for outdoor use or in wet conditions.

