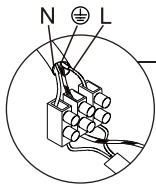


Please read instructions before commencing installation and retain for future reference.

SPECIFICATIONS

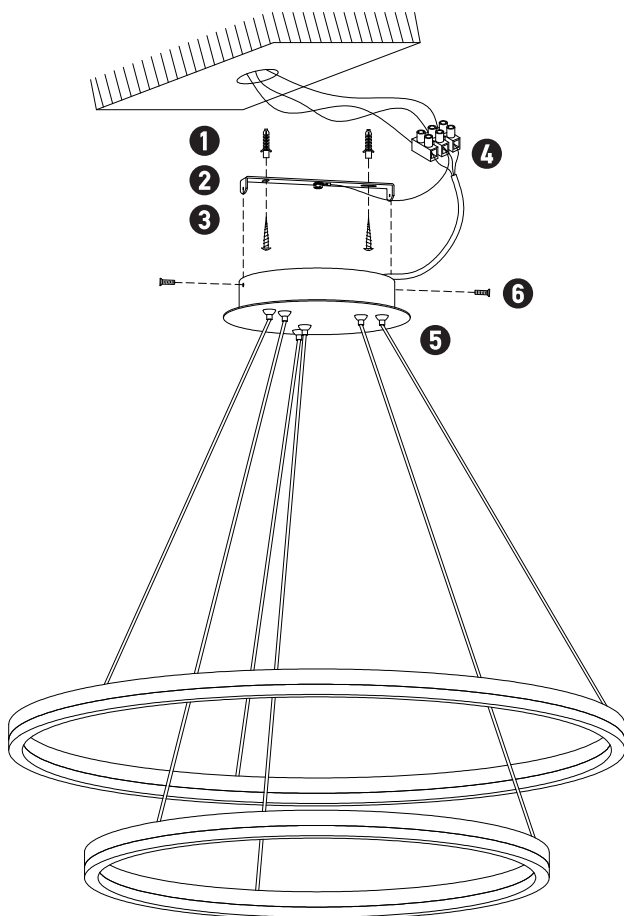
- **Fitting:** METAL + ALUMINIUM + ACRYLIC.
 - **Lamp type:** LED 60W 3000K
 - **Ingress Protection:** IP20. Protection against entry of solid objects greater than 12mm in diameter.
 - **Quality/Corrosive rating:** QC21
 - **Burning period:** 12hrs/24hr cycle. Commercial use, indoor mainly painted or plated metals.
- Not for use in corrosive environments.**



Connecting the Terminal Block

Connect main supply (brown - Live, blue - Neutral) into terminal block making sure all connections are tight.

4



INSTALLATION INSTRUCTIONS

⚠ Electrical products can cause death, injury, or damage to property. Installation of this product must be carried out by a qualified electrician.

- Ensure main supply is switched off.
- Insert masonry plugs (1) into mounting surface.
- Fit mounting bracket (2) onto mounting surface with self-tapping screws (3).
- Connect main supply wires to terminal block (4) making sure all connections are tight.
- Fit ceiling plate (5) onto mounting bracket with screws (6).
- Reconnect power.

WARNING

- Not for outdoor use or in wet conditions.



IP20

0,5m

